

Drying cabinet

DC6-8

Drying Cabinets have no mechanical action and are used to efficiently dry bulky items such as workwear/overalls/gloves and boots or delicate items such as silk and linen



Priority on people

Ergonomic design, with user friendly positioning of door handle, control panel and suitable for disabled users

- Easy operation with 2 automatic drying programs, which will stop once the load is dry
- Relief script
- 18-20 extensible hangers for easy loading/unloading, reversible
- Flexible installation with adjustable feet
- Insulated doors for quiet operation and robust design



Productivity

Time saving when used instead of flat or hang drying. The door can be opened a short moment without stopping the drying process

Safety

Option to activate child safety start lock.

- Door circuit breaker which interrupts the drying process when the door is opened

Accessories

- Shoe rack to make it easier to dry shoes and boots.
- Glove hanger for more efficient drying of gloves, hats etc. 988704088, 432730570
- Hanger which makes hanging of garments easier. 988704089, 432731032



Main specifications		DC6-8
Rated capacity	kg	8
Evaporation*	g/min	84
Drying time cotton*	min	47
Rated input	kW	6.2
Energy/load of linen	kWh/kg	0.6
Energy/water evaporated	kWh/l	1.14

* Applies to 8 kg dry weight cotton with 50% residual moisture.

Electrical connection		DC6-8
Voltage	400V 3N AC 50 Hz	
Traditional thread locker	kW(A)	6.2(10)
Automatic circuit breaker	kW(A)	6.2(13)
Connections		
Outlet	∅ mm	125
Evacuated air quantity	m ³ /h	200
Pressure drop*	Max. Pa	70
Sound level		
Pressure level**	dB(A)	<70
Weight		
	net, kg	134
Dimensions in mm		
A	Width	1200
B	Depth	580
C	Height	1820
D		1635
E		185
F		810
G		530
H		430
I		215
J		600
K		850
L		40
M		545
1 Operating panel		
2 Electrical connections		
3 Air outlet***		



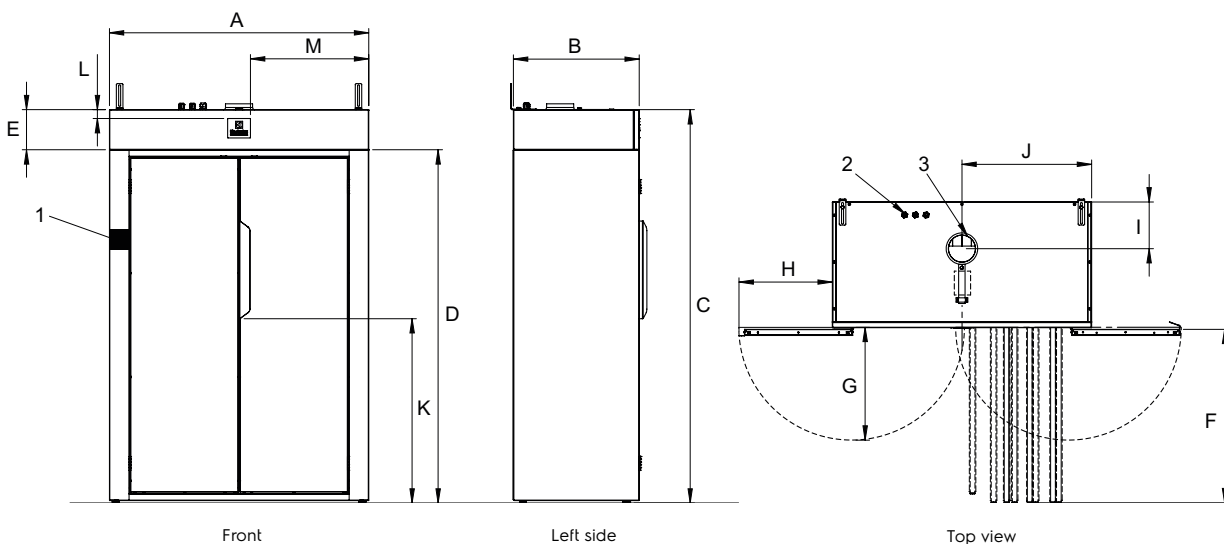
Colour of front and side panels is silver grey and handle is dark blue

Connection cable not supplied

* Conforms to a 23 m straight wiring duct, with a diameter of 160 mm exhaust air connection approx. 70 m straight wiring duct

** Sound power levels measured according to ISO 60704

*** Fixed connection to separate duct or general ventilation system



Experience the Excellence
www.electroluxprofessional.com