

Barrier Washer

WB6-20, WB6-27, WB6-35



Washer featuring effortless use and exceptional savings



Effortless operations

- A synthesis of ergonomics and human-centered design, for exceptional user experience
- Compass Pro® controller with a user friendly interface to make the operator's life easy allowing 40 factory and 15 customized wash programs
- External doors with vertical hinges and 175° opening, easy to handle and reversible
- Automatic drum positioning / locking and Automatic door locking offering the best ergonomics and safety for the operators during the loading and unloading operations
- Large inner drum doors to make loading and unloading operations easier than ever



Assured hygiene

- Protect your business and take care of your customers respecting the strict international hygiene standards
- Watchdog system to avoid cross contamination
- Flat design for an easy cleaning and prevent bacteria propagation



Outstanding productivity and savings

- Innovative features designed for lowest possible water, energy and detergent consumption, to save money and time, and embrace a sustainable lifestyle
- Programs optimized for lowest water, energy and detergent consumption
- High extraction force for efficient dewatering and savings during drying process
- Power Balance measures, corrects the unbalance and adjusts the G force in real time, maximizing the dewatering, saving money and time in the drying process
- Compatible with up to 13 detergent signals as standard to stand the most complicated wash programs



Real time control

- Monitoring of the status of the equipment and performance from anywhere, allowing to take action to improve the business
- Connectable to OnE Laundry, the personal assistant for hygiene validation, process management and revenue management

Main options and accessories

- Efficient Dosing interface and pumps, ensures that the precise amount of chemicals will be added automatically according to the weight of the load, saving chemicals
- End of cycle alarm to save valuable process time
- Double display to better manage the process on the clean side of the laundry
- 4 compartments soap box to use liquid or powder detergents
- Stainless steel body to better stand aggressive environments
- Integrated Savings weighs the linen and adjusts the water level to the amount of linen, saving water and energy at less than full load. In addition it optimize the loading operations showing in real time the weight in the drum
- 3rd water inlet valve for soft water
- Automatic inner drum door opening (AIDO) at the end of the cycle for effortless and fast unloading operations
- Titration valve for water monitoring



Images shown are a representation of the product only and variations may occur.

Main specifications				WB6-20			WB6-27			WB6-35		
Max. capacity		kg/lb		20/44			27/60			35/77		
Drum,	volume	litre		200			270			350		
	diameter	ø mm		770			770			770		
Extraction		rpm		910			910			910		
G-factor				350			350			350		
Heating alternatives, 380-400V	electricity	kW		13.5			18			27		
	steam	-		-			-			-		
	gas	kW		40			40			40		
	thermal fluid	-		-			-			-		
Consumption data *				El	Steam	Gas	El	Steam	Gas	El	Steam	Gas
Water consumption (cold)		litre		213	213	233	308	308	328	426	426	446
Energy consumption (motor/heating)		kWh		11.3	0.4	0.5	12.7	0.45	0.57	18.6	0.5	0.65
Steam consumption (600 kPa)		kg		-	8	-	-	11	-	-	14	-

* With accordance to ISO 9398-4 Test cycle B.

Produced according to ISO 9001 and ISO 14001.

Certified with CB certificate for Low Voltage Directive and S-mark according to the Machinery Directive. Protection class IP X4D.

Electrical connections*				
Heating alternative	Main voltage		Total power kW	Recommended fuse A
		Hz		
WB6-20				
Electric heated	400-415V 3 ~	50/60	15	3 x 32
Steam heated	400-415V 3 ~	50/60	6	3 x 16
Gas heated	400-415V 3 ~	50/60	6.3	3 x 16
WB6-27				
Electric heated	400-415V 3 ~	50/60	19.5	3 x 40
Steam heated	400-415V 3 ~	50/60	6.2	3 x 16
Gas heated	400-415V 3 ~	50/60	6.5	3 x 16
WB6-35				
Electric heated	400-415V 3 ~	50/60	28.8	3 x 50
Steam heated	400-415V 3 ~	50/60	6.4	3 x 16
Gas heated	400-415V 3 ~	50/60	6.7	3 x 16

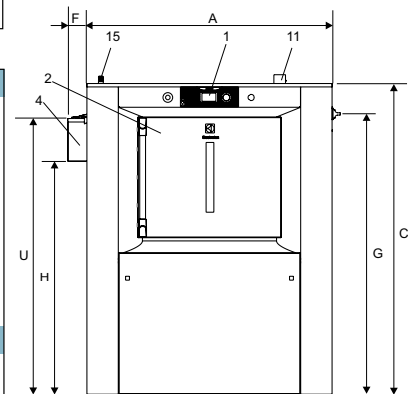
* Total power and recommended fuse does not depend on the heating power in those cases.

Water, steam, gas and air connections		WB6-20	WB6-27	WB6-35
Water valves	DN	20	20	20
Water pressure	kPa	50-300	50-300	50-300
Capacity at 250 kPa	l/min	70	70	70
Drain valve	ø mm	75	75	75
Draining capacity	l/min	240	240	240
Steam valve	DN	20	20	20
Steam pressure	kPa	100-600	100-600	100-600
Gas valve	DN	20	20	20
Gas evacuation	ø mm	125	125	125
Floor requirements				
Frequency of the dynamic force	Hz	15.2	15.2	15.2
Sound levels				
Airborne sound level	dB(A)	72	72	72
Heat emission				
% of installed power, max		3	3	3
Shipping data**				
Net weight	kg	670	710	770
Shipping volume	m ³	2.71	3.10	3.66
Dimensions in mm				
A Width		915	1050	1270
B Depth		1030	1030	1030
C Height		1620	1620	1620
D		830	830	830
E		125	125	125
F		125	125	125
G		1435	1435	1435
H		1210	1210	1210
I		375	375	375
J		475	475	475
K		210	210	210
L		150	150	150
M		80	80	80
U		1440	1440	1440
V		60	60	60
W		475	575	730
X		175°	175°	175°

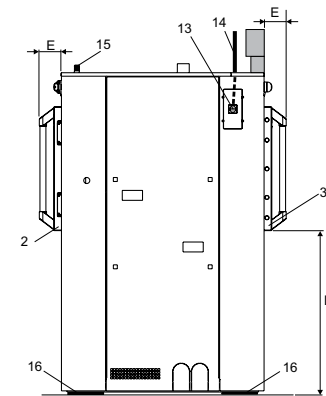
- | | |
|----------------------------------|-------------------------------------|
| 1 Control panel | 10 Double drain connection (option) |
| 2 Loading door | 11 Air vent connection |
| 3 Unloading door | 12 Electrical connection |
| 4 Detergent container | 13 Main switch |
| 5 Cold hard water inlet | 14 Electric cable |
| 6 Hot water inlet | 15 Liquid detergents inlet |
| 7 Cold soft water inlet (option) | 16 Rubber plate |
| 8 Steam connection | |
| 9 Drain connection | |

* Sound power levels measured according to ISO 60704.

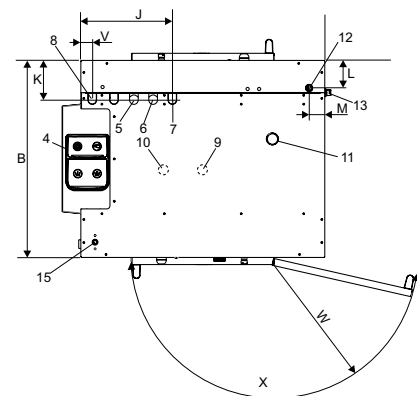
** Average data. Crated weight/shipping volume depends on configuration. Please contact logistics for exact measures.



Front view



Right view



Top view

