

Industrial Ironers

Towel folder 1.1



Images shown are a representation of the product only and variations may occur.

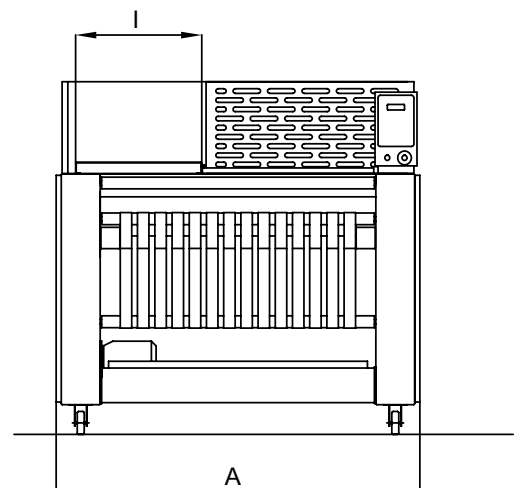
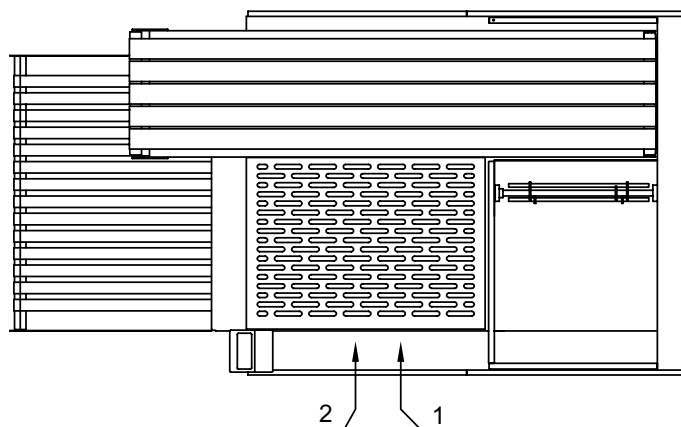
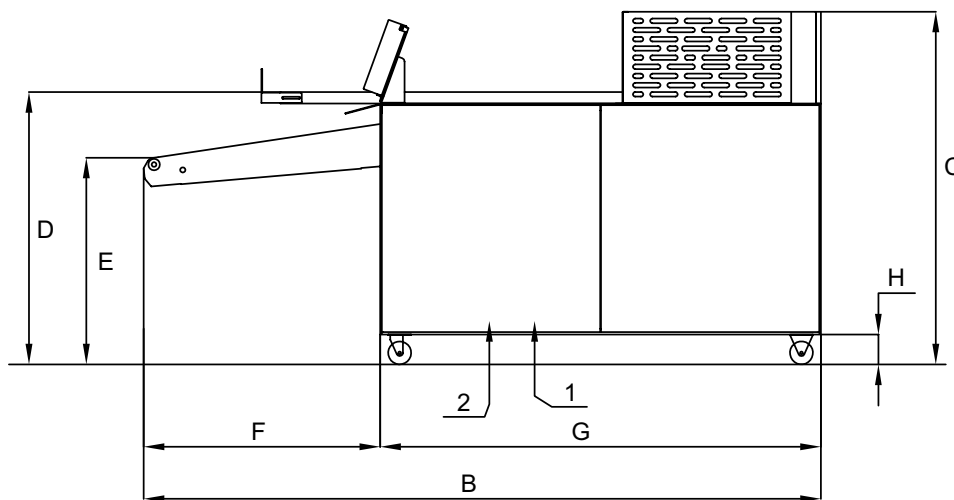
Features and benefits

- Towel folder featuring 1, 2 or 3 length folds combined with 1 cross fold and stacking to process any kind of towel
- Adjustable feeding table height for best ergonomic working station
- Electrolux control panel with intuitive navigation for fast and easy operation
- Stop conveyor before stacking for a perfect result
- Stacked items are returned to the operator on a conveyor for a perfect ergonomic and productive working station
- Can process items up to 1000 mm in width and 2400 mm in length, perfect for the largest pool/beach towels
- Fixed speed of 34 m/min for a high production

Main options

- 2 or 3 exit conveyor versions delivering to the left hand side for automatic sorting of several towel sizes

Electrical and pneumatic connections	
Electrical connection	400V 3N AC 50 Hz 2.5 kW 16 A
Pneumatic connection	ø 1/2" with 6 bar pressure
Pneumatic consumption	5 l per item
Shipping data	
net, kg	700
crated, kg	750
Dimensions in mm	
A Width	1600
B Depth	3000
C Height	1800
D	1190
E	700-900
F	1030
G	1920
H	130
I	550



Art. No. 43893861/2015.0114
We reserve the right to alter specifications without notice.