

Washer extractor

W4400H, W4600H

Features and benefits

- Clarus Control® – programmable microprocessor with 9 fixed and up to 192 programs to allow free programming
- High extraction for efficient dewatering
- Frequency-controlled motor for optimal washing
- Supplied with 8 + 5 signals for liquid detergents
- Eight connections for liquid detergents
- Large door opening for easy loading and unloading
- All critical parts made from stainless steel to provide a high level of corrosion resistance
- Powder painted galvanised steel side panels
- Bearing seals lubricated with oil to ensure a long service life. Empty container alarm
- Electric or direct steam heating
- Low noise level for pleasant working environment
- Designed for easy servicing and maintenance

Main options

- Front mounted loading hopper
- Forward or forward/backward tilting with full reversing function
- Noise/heat insulation
- Test tap with level tube
- Two drain valves for recovering water/wash solution
- Five-compartment injector for powder detergent (located at the front or on the right hand side of the machine)
- Third water valve
- Large water valves
- IS – Integrated Saving
- Connection for intelligent detergent system (DMIS)
- Connection to CMIS



Images shown are a representation of the product only and variations may occur.

Main specifications				W4400H		W4600H		
Max. capacity		kg/lb		45/100		65/135		
Drum,	volume	litre		400		600		
	diameter	ø mm		920		980		
Extraction		rpm		825		800		
G-factor				350		350		
Heating alternatives	electricity	kW		36		36 / 54		
	steam			x		x		
	hot water			x		-		
Consumption data "Normal 60°C" * (7G01)				El	Steam	Steam**	El 36 kW	El 54 kW
Total time (cold+hot/cold)		min		43/-	38/41	44/49	48/-	46/-
Water consumption (cold/hot)		litre		501/80	497/72	555/92	555/92	555/92
Energy consumption (motor/heating)		kWh		1.1/4.1	1.1/-	1.2/-	1.2/4.7	1.2/4.7
Steam consumption (cold/hot)		kg		-	6.1	7	-	-
Steam consumption (cold)		kg		-	12	14	-	-

* Water temperature 15°C cold water and 65°C hot water.
 ** Steam at 300-400 kPa.

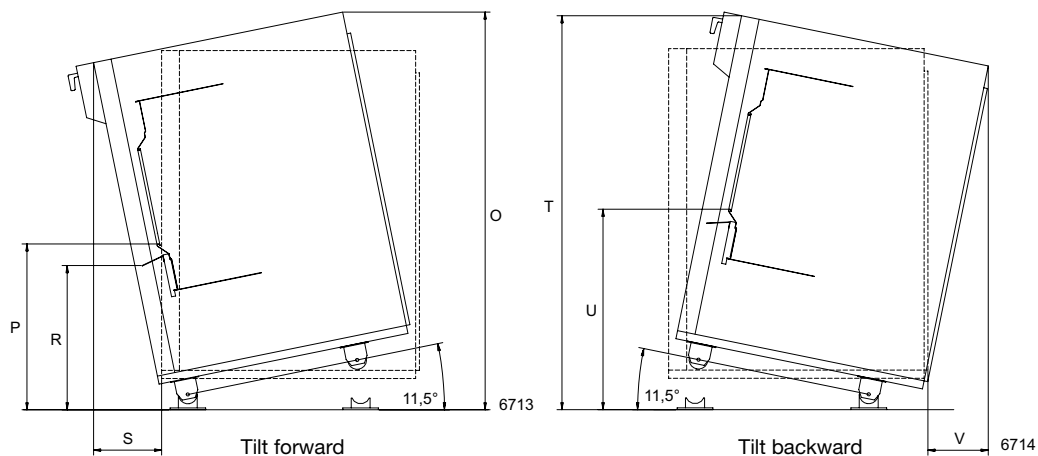
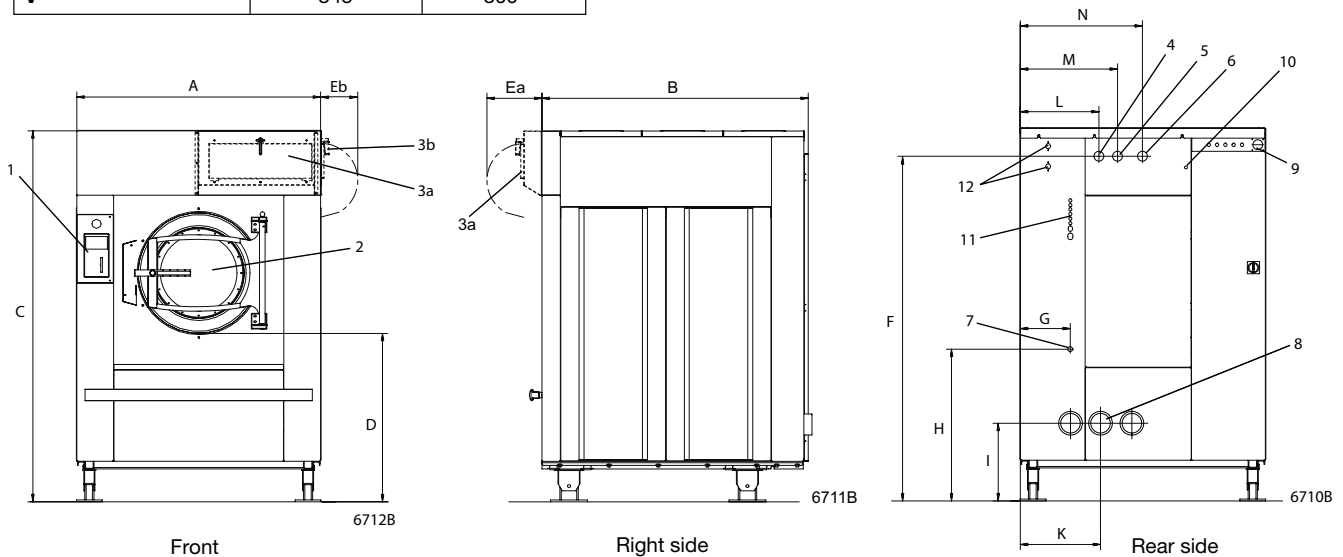
Certified in accordance with ISO 9001 and ISO 14001 and approved IP 24D.

Electrical connections*			W4400H	W4600H
Heating	Voltage			
El.	230V 3AC 50 Hz	kW(A)	-	38 (100)
	230V 3AC 50 Hz	kW(A)	-	56 (160)
	240V 3AC 60 Hz	kW(A)	-	38 (100)
	240V 3AC 60 Hz	kW(A)	-	56 (160)
	400-415V 3N AC 50 Hz	kW(A)	36 (63)	38 (63)
	400-415V 3N AC 50 Hz	kW(A)	-	56 (100)
Steam or non-heated	230V 3AC 50 Hz	kW(A)	-	4 (16)
	230V 3AC 60 Hz	kW(A)	-	4 (16)
	400-415V 3N AC 50 Hz	kW(A)	5.5 (10)	4 (16)
Water, steam and air connection				
Water valves	DN		25	25
Rec. water pressure	kPa		200-600	200-600
Functioning limits for water valve	kPa		50-1000	50-1000
Capacity at 300 kPa	l/min		110	110
Drain valve	ø mm		110	110
Draining capacity	l/min		400	400
Steam valve	DN		20	20
Rec. steam pressure	kPa		300-600	300-600
Functioning limits for steam valve	kPa		50-800	50-800
Compressed air	DN		6	6
Air pressure	kPa		500-700	500-700
Air consumption	l/h		20	20
Five-compartment detergent injector	DN		20	20
Floor requirements				
Frequency of the dynamic force	Hz		13.8	13.3
Floor load at max extraction	kN		15.8 ± 1.2	16.9 ± 1.4
Sound levels				
Sound level	dB(A)		75	76
Sound level with insulation	dB(A)		< 70	< 70
Heat emission				
% of installed power, max			5	6
Shipping data				
	net, kg		1200	1380
	crated, kg		1300	1500
Shipping volume	m ³		5.33	5.7

* Other voltages available, see installation manual.

Dimensions in mm	W4400H	W4600H
A Width	1325	1390
B Depth	1450	1585
C Height std/tilt+IWS	1975/2015	1975/2015
C Height, low foot	1890	-
D std/tilt+IWS	870/910	870/910
Ea	300	300
Eb	210	210
F std/tilt+IWS	1815/1865	1815/1865
G	270	270
H std/tilt+IWS	780/820	780/820
I std/tilt+IWS	380/420	380/420
K	435	435
L	425	425
M	525	525
N	660	660
O	2235	2225
P	950	935
R	830	815
S	370	325
T	2205	2200
U	1140	1120
V	345	300

- 1** Control panel
- 2** Door opening \varnothing 535
- 3a** Five-compartment detergent injector for powder detergent, front (optional)
- 3b** Five-compartment detergent injector for powder detergent, right hand side (optional)
- 4** Cold water connection
- 5** Hot water connection
- 6** Third water connection (optional)
- 7** Steam connection
- 8** Drain
- 9** Electrical connection
- 10** Compressed air connection
- 11** External liquid detergent connections, 6 pcs \varnothing 10 mm, 1 pc \varnothing 16 mm and 1 pc \varnothing 20 mm
- 12** Water connection, liquid detergent injector (optional) 3/4"



Options

- Front mounted loading hopper - easy loading from "sling-bag" system. Manually operated.
- Backwards and forwards tilting – backwards tilting can be used in conjunction with input wheel or other loading system.
- Forward tilting with drum reversal – makes unloading into a trolley easy.
- Noise/heat insulation – reduces airborne noise to less than 70 dB(A).
- Test tap with level tube – allows you to take samples from the wash solution.
- Water/wash solution recovery system – two drain valves allow you to recover rinse water and re-use it in the wash.
- Five-compartment detergent injector – for powder detergent. (5 x 1 litre) on right hand side or front.
- Water inlet via pump – additional water inlet for water via pump from recovery system.
- Third water valve – electrically-controlled water valve for hard water.
- Steam connection components.
- Connection components for 2 water connections.
- Connection components for 3 water connections.
- Pump inlet connection components. Recovery
- IS – Integrated Saving.
- Combined steam and electrical heating - allows you to switch between electricity and steam.
- Connection to intelligent detergent system (DMIS)
- Large water valves (DN 32 / 1 1/4" BSP)
- Kit for connection to CMIS (Certus Management Information Systems) network. CMIS provides vital statistics, error codes, maintenance intervals, process receipt, etc.

Accessory

- WPM PC program. Allows the creation of wash programs on a PC and their transference to the machine via a memory card.



CMIS can be fitted to washer extractors with Clarus Control, tumble dryers with Selecta Control and ironers with electronic control system. All you need to access and view the statistical feedback is a normal PC.

www.electrolux.com/laundrysystems

Share more of our thinking at www.electrolux.com

Art. No. 438906821/2013.01.07
We reserve the right to alter specifications without notice.