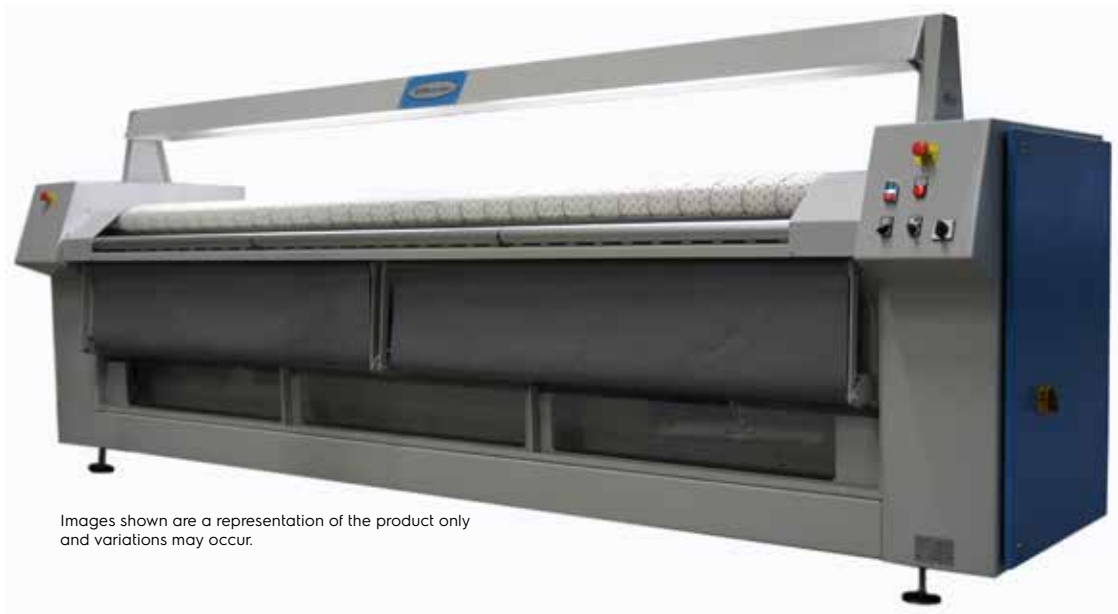


Industrial Ironers

C-Flex IL vacuum table



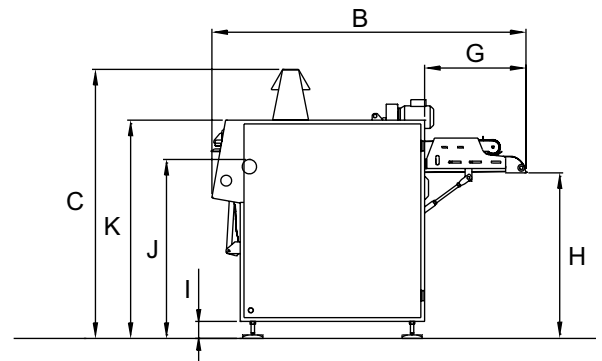
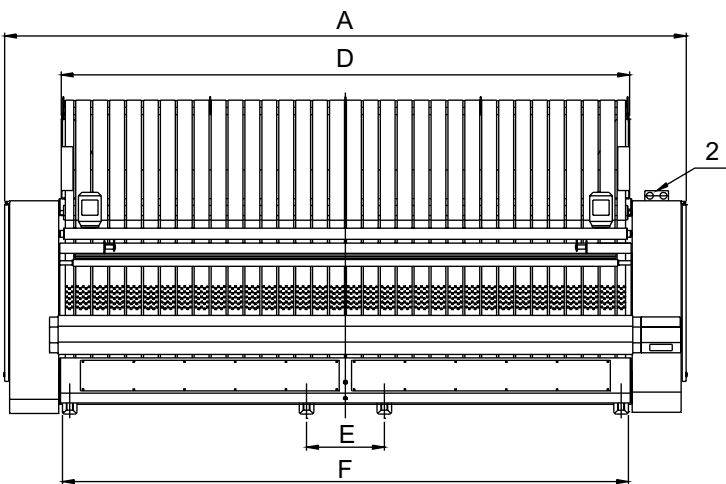
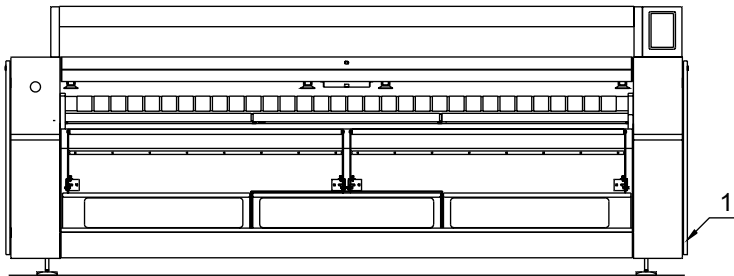
Features and benefits

- Vacuum feeding table for high quality feeding of small, medium or large flat items
- Powerful suction box and vacuum table for best ergonomics and productivity
- Fixed horizontal stretching blade over the full width for optimum quality of feeding
- Foldable trays for ergonomic feeding of small flatwork
- Neon light curtain over full width for best working conditions
- Speed synchronization with the ironer for an easy operation of the ironing line
- Central lint collecting box for a clean and safe working place
- Available in 3000 mm or 3300 mm for a perfect match with your C-Flex

Main options

- Direct feeding into C-Flex chest for maximum quality and space saving
- Lane indication by laser beam for ergonomic manual feeding on multi lanes
- Moveable stretching knives for 2, 3 or 4 lanes operations for a maximum quality on small items

Electrical and pneumatic connections	
Electrical connection	400V 3N AC 50 Hz 5.2 kW 25 A
Pneumatic connection	∅ 8 mm with 7 bar pressure
Pneumatic consumption	12 l per item
Shipping data	
net, kg	1000
crated, kg	1050
Dimensions in mm	
A Width	4025
B Depth	1650
C Height	1480
D	3060
E	460
F	3300
G	600
H	780-980
I	100
J	1060
K	1290



Art. No. 438913901EN/2015.0114
We reserve the right to alter specifications without notice.



BRISBANE - SYDNEY - MELBOURNE - ADELAIDE - PERTH
1300 RICHARD (742 427) - www.richardjay.com.au



A family owned
Australian
business
est. 1969