



Maytag Front Load Washer

Maytag
MHN33PN

OPL



Legendary Maytag Dependability

The dependable robust front load washer.

Advanced Spin Technology

- Delivers more accurate cycle times and better unbalanced performance
- A six-point suspension provides better stability

Energy-Efficient Cleaning

- TurboWash™ System's proven high efficiency technology delivers energy savings

Duracore Drive System

- Durable shaft sleeve - designed to eliminate shaft wear
- Watertight, flexible triple-lip seal with garter spring - protecting bearings and life cycle

Total water usage of only 40.5l per cycle



Maytag warranty 2 years Parts and 1 year labour.

Maytag Commercial Front Load Washer MHN33PN



Richard Jay is
Australia's largest
and most respected
supplier of Commercial
and Industrial laundry
solutions

Supplying Maytag
for over 30 years,
Richard Jay is the
Maytag expert

CYLINDER

Drum Volume	l	88
Diameter	mm	547
Depth	mm	341
Capacity	kg	9

DIMENSIONS

Height	mm	961 + feet
Width	mm	686
Depth	mm	732
Lid Opening	mm	362
Weight (net / gross)	kg	107 / 111

SPEED

Wash	RPM	40
Extract (high force)	RPM	1000
G-force	G	300

ENERGY

Electric Power Consumption	HP (W)	0.54 (400)
Total Energy per Cycle	Kwh	0.054

WATER USAGE

Avg. Total Water Usage / Cycle	l	40.5
Avg. Hot Water Usage / Cycle	l	10.26
Avg. Warm Water Usage / Cycle	l	2.69
Operational Water Pressure	psi	20-100

NOISE & Circuit

Noise Level	dB	58
Circuit protection	amps	16

EXTERNAL FINISH

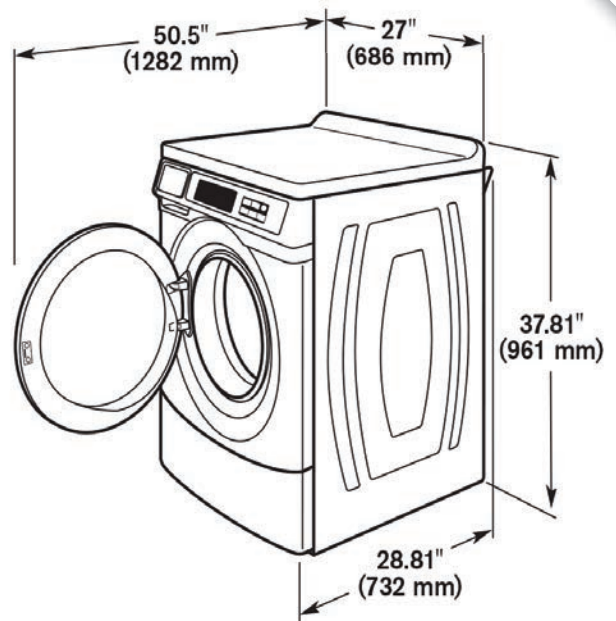
Drum		
Color		White

CIRCUIT PROTECTION

Main Control Board Fuse	amps	10 (220-240V / 50Hz)
-------------------------	------	----------------------

HOSE

Inlet Hose	mm	1220
Drain Hose	mm	1830



NSW & ACT 3A/196 Power Street, Glendenning
QLD 4/19 Success Street, Acacia Ridge
SA & NT 76 Pym Street, Dudley Park
VIC & TAS 31/640-680 Princes Highway, Brooklyn
WA U1/25 Trade Road, Malaga



Richard Jay
Laundry Matters

1300 RICHARD (742 427)
www.richardjay.com.au

PRODUCT INSTALLATION SPECIFICATIONS

MODEL	MHN33PN
CAPACITY – kgs	9
HEIGHT – mms	961 + fee
WIDTH – mms	686
DEPTH – mms	732
APPROX. WEIGHT – kgs	107
WATER INLETS – inches 1 x Hot & 1 x Cold connection – Male threaded taps required.	3/4
WATER PRESSURE required – psi	20 – 100
DRAIN PIPE DIAMETER recommended – mm Drain hose O.D. is 32mm	50 - Needs 762-2400mm high standpipe **Add height of any plinth.
Flow Rate – Lts/min	46
POWER CONNECTION 3-pin GPO required.	1 phase 240v 10amp GPO
CIRCUIT PROTECTION AMPS	16
WATER CONSUMPTION – Approx. Litres	40.5

* Customer supplied services must be located within 1 metre of each service connection point on machine for standard fittings to reach. See machine drawing for locations.

This work is protected by copyright. Reproduction in whole or in part, in 2 or 3 dimensions is expressly forbidden except with the prior written permission of the copyright owner. © Richard Jay Laundry Equipment Pty Ltd.