



Maytag Front Load Dryer

Maytag
MDE28PN
MDG28PN

OPL

Energy efficient dryer built to last

Trust the brand delivering laundry solutions for over 50 years.

TurboVent™ Dryer Technology

- Additional blower wheel provides exceptional performance
- High airflow reduces dry time

Porcelain-Enamel Top

- Durable finish for high-use environments

9kg Super-Capacity Front Load Dryer

Easy to use

- Provides simple programming options
- Easy one-touch cycle selection

Maytag warranty 2 years Parts and 1 year labour.



Maytag Commercial Front Load Dryer

MDE28PN/ MDG28PN



Richard Jay is Australia's largest and most respected supplier of Commercial and Industrial laundry solutions

Supplying Maytag for over 30 years, Richard Jay are the Maytag experts

CYLINDER

Drum Volume	l	190
Capacity	kg	9

DIMENSIONS

Height	mm	965 + feet
Width	mm	686
Depth	mm	736
Door Opening	mm	464
Weight (net / gross)	kg	62/ 67

SPEED & AIRFLOW

		Gas	Electric
Tumble Speed	RPM	50	50
Airflow	CMM	6.5	6.1

ENERGY

Motor Power Consumption	HP (W)	0.33 (250)
Heater Element Rating	W	4600
Total Energy per Cycle	Kwh	

NOISE & CYCLE TIME

Noise Level	dB	58
Default Programme Duration	min	

EXTERNAL FINISH

Drum	
Top Plate	Porcelain-enamel

CIRCUIT PROTECTION

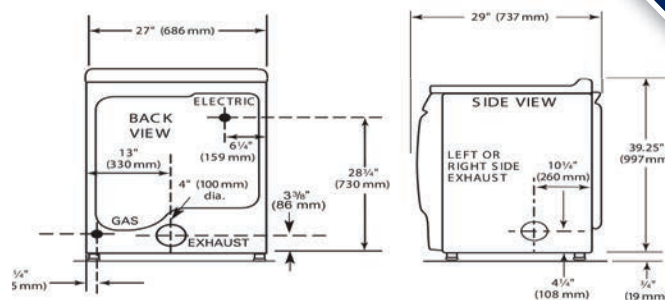
Main Control Board Fuse (Gas)	amps	10 (220-240V / 50Hz)
Main Control Board Fuse (Electric)	amps	20 (220-240V / 50Hz)

GAS

Inlet	inches	3/8 NPT
Rating	BTU(kcal)/hr	20000 (5040)

EXHAUST

Duct Diameter	mm	100
---------------	----	-----



MAXIMUM EXHAUST DUCT LENGTH PER NUMBER OF TURNS

Number Of 90° Turns	Rigid Metal Vent	
	Box Hood and Louvered Style	Angled Hood Style
0	135 ft. (41.2 m)	129 ft. (39.3 m)
1	125 ft. (38.1 m)	119 ft. (36.3 m)
2	115 ft. (35.1 m)	109 ft. (33.2 m)
3	106 ft. (32.3 m)	100 ft. (30.5 m)
4	98 ft. (29.9 m)	92 ft. (28.0 m)

Number Of 90° Turns	Flexible Metal Vent	
	Box Hood and Louvered Style	Angled Hood Style
0	76 ft. (23.2 m)	62 ft. (18.9 m)
1	71 ft. (21.6 m)	57 ft. (17.4 m)
2	67 ft. (20.4 m)	53 ft. (16.2 m)
3	65 ft. (19.8 m)	51 ft. (15.6 m)
4	63 ft. (19.2 m)	49 ft. (14.9 m)



NSW & ACT 9 Grex Ave, Minchinbury
 QLD 4/19 Success Street, Acacia Ridge
 SA & NT 76 Pym Street, Dudley Park
 VIC & TAS 31/640-680 Princes Highway, Brooklyn
 WA Suite 10, 4/48 Winton Road, Joondalup



Richard Jay
 Laundry Matters

1300 RICHARD (742 427)
 www.richardjay.com.au

PRODUCT INSTALLATION SPECIFICATIONS

MODEL	MDE28PN
CAPACITY - kgs	9
HEIGHT – mms	965 + feet
WIDTH – mms	686
DEPTH – mms	736
APPROX. WEIGHT – kgs	67
DUCT SIZE – inches (single skin round galv. outlet)	4 - Elbow will use 200mm space behind machine.
MAKE UP AIR REQUIRED per dryer. The room where the dryers are located should have make-up air equal to or greater than the airflow of all the dryers in the room.	102 l/s
POWER CONNECTION 3-pin GPO required.	1 phase, 240v, 20amp GPO
CIRCUIT PROTECTION AMPS	20

- * Customer supplied services must be located within 1 metre of each service connection point on machine for standard fittings to reach. See machine drawing for locations.

Reproduction in whole or in part is expressly forbidden except with the prior written permission of the copyright owner © Richard Jay Pty Ltd.

PRODUCT INSTALLATION SPECIFICATIONS

MODEL	MDG28PN
CAPACITY - kgs	9
HEIGHT – mms	965 + feet
WIDTH – mms	686
DEPTH – mms	736
APPROX. WEIGHT – kgs	62
GAS CONNECTION – inches (dryer fitting is male) Regulated gas supply with isolation valve required.	3/8
GAS RATING – megajoules	21.10
NATURAL GAS - pressure required	1.13 - 2.0 kpa
LPG GAS - pressure required	2.75 kpa
DUCT SIZE – inches (single skin round galv. outlet)	4 - Elbow will use 200mm space behind machine.
MAKE UP AIR REQUIRED per dryer. The room where the dryers are located should have make-up air equal to or greater than the airflow of all the dryers in the room.	109 l/s
POWER CONNECTION 3-pin GPO required.	1 phase, 240v, 10amp GPO
CIRCUIT PROTECTION AMPS	16

* Customer supplied services must be located within 1 metre of each service connection point on machine for standard fittings to reach. See machine drawing for locations.

Reproduction in whole or in part is expressly forbidden except with the prior written permission of the copyright owner © Richard Jay Pty Ltd.