



MAYTAG® COMMERCIAL NEPTUNE SUPER-CAPACITY DRYER

LAUNDRY SOLUTIONS
YOU CAN **DEPEND** ON.

THE PERFECT MATCH FOR LARGER WASHERS

Maytag® Commercial Neptune super-capacity dryers perform in sync with Energy Advantage™ high-efficiency front-load washers to reduce waiting times. Plus, the powerful 220-cfm diagonal airflow dries quickly and efficiently.

MICROPROCESSOR CONTROL

Maytag® Computer Trac® controls give you the flexibility to set vend prices by day and time. Microprocessor coin-drop measures coin size, weight and drop speed to help prevent slugging



FOR YOUR CUSTOMERS:

- Super Capacity For Big And Bulky Loads
- Powerful 220-cfm Diagonal Airflow
- Extra-Large Reversible Door Opens 180°
- One-Touch Cycle Selection
- Large-Capacity Lint Filter
- Meets ADA Accessibility Guidelines
- Display Counts Down Time Remaining

FOR YOUR OPERATION:

- Extra-Large Security Coin Valut
- "Top Off" Option increases Revenues
- Convenient Fron Access for Service
- Debit Card-Compatible Controls

BUILT-TO-LAST FEATURES:

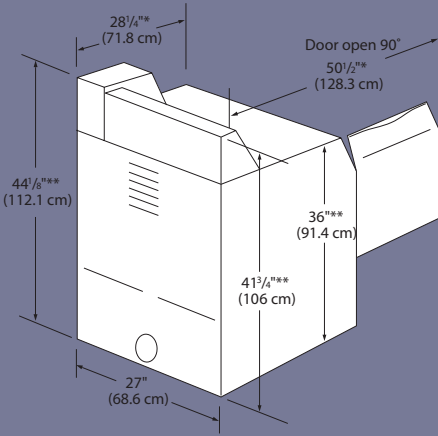
- Premium Porcelain-Enamel Top
- Tri-Coat™ Cabinet Protection
- Cushioned Drum Suspension
- Permanently Lubricated Bearings
- The Best Warranty In The Business

MDE/MDG21PD



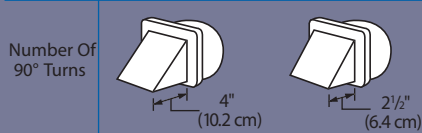
LARGE DRUM AND
POWERFUL AIRFLOW OFFER FAST,
**EFFICIENT
DRYING**

Neptune® Super-Capacity Dryer — MICROPROCESSOR COIN-DROP



* Includes hinge on back of dryer.
 ** Dimensions will vary according to adjustment of leveling legs; add 2" (5.1 cm) minimum.

MAXIMUM EXHAUST DUCT LENGTH PER NUMBER OF TURNS



4"-diameter rigid metal duct		
0	65 ft. (19.8 m)	59 ft. (18 m)
1	54 ft. (16.5 m)	48 ft. (14.6 m)
2	44 ft. (13.4 m)	38 ft. (11.6 m)
3	36 ft. (11 m)	30 ft. (9.1 m)
4	28 ft. (8.5 m)	22 ft. (6.7 m)

4"-diameter flexible stiff-walled metal duct		
0	36 ft. (11 m)	28 ft. (8.5 m)
1	32 ft. (9.8 m)	24 ft. (7.3 m)
2	28 ft. (8.5 m)	20 ft. (6.1 m)
3	25 ft. (7.6 m)	17 ft. (5.2 m)
4	23 ft. (7 m)	15 ft. (4.6 m)



**THE BEST WARRANTY
 IN THE BUSINESS —
 5 YEARS ON ALL PARTS.**

For a period from the date of original purchase through the time listed above, the designated parts that fail in normal commercial use will be repaired or replaced free of charge for the part itself, with the owner paying all other costs, including labor, transportation and customs duty. Chemical damage is excluded from all warranty coverage. See complete warranty for details.



Neptune® Super-Capacity Dryer	
DRYER SPECIFICATIONS	
MODEL	MDE/MDG21PD
MOTOR	
Single-phase, thermoprotected against overload, auto-reset	•
HP (kw)	¼ (.19)
CAPACITY	
Cu. ft. (cu. m)	6 (.17)
DOOR OPENING DIAMETER	
In. (cm)	18½ (47)
AIRFLOW	
Domestic models — cfm (cmm)	220 (6.2)
Export models — cfm (cmm)	180 (5)
ELECTRICAL REQUIREMENTS	
MDE model — 240V, 60 Hz	•
MDG model — 120V, 60 Hz	•
Export models — 220 – 240V, 50 Hz	•
BREAKER/FUSE REQUIREMENTS	
MDE model — amps	30
MDG model — amps	15
Export models — amps	20
APPROXIMATE OVERALL DRAW	
Domestic models — watts	5,900
Export models — watts	4,800
EXHAUST DUCT DIAMETER	
In. (cm)	4 (10.2)*
NICHROME HELIX COIL HEATING ELEMENT	
MDE model	•
SINGLE-PORT BURNER	
MDG model	•
GAS RATING	
MDG domestic model — BTU/hr. (kcal/hr.)	24,000 (6,048)
MDG export model — BTU/hr. (kcal/hr.)	20,000 (5,040)
GAS INLET	
MDG model — in. (cm)	½ (1.3)
ADJUSTABLE LEVELING LEGS	
	•
COLOR	
White	•
APPROXIMATE WEIGHT	
Crated — lbs. (kg)	163 (74)
Uncrated — lbs. (kg)	144 (65)
*Use a minimum of 4" (10.2 cm) diameter rigid aluminum or rigid galvanized-steel duct. Never use plastic, non-metal or combustible duct.	
See specific instructions for proper installation. Because of continuous product improvement, Maytag reserves the right to change specifications without notice.	

